

# IMPORTANT SAFETY WARNINGS AND INSTRUCTIONS READ PRIOR TO USING GALCO PRODUCTS

## ▲ DANGER

**Firearms users must understand and obey the Rules of Firearms Safety:**

1. All firearms are always loaded.
2. Never let the muzzle cover anything you're not willing to destroy.
3. Keep your finger off the trigger until your sights are on target.
4. Be sure of your target and what's beyond.

**▲ WARNING** Failure to heed these warnings or follow the operating instructions may result in negligent discharge of a firearm, causing serious injury or death.

Read and understand all owner's manuals, instructions, and guides prepared by the manufacturer of your firearm prior to use.

Galco holsters are designed to carry specific firearms.

**▲ WARNING** Before use, be sure the holster selected is designed and intended to carry your particular firearm.

If you have any questions about correct fit, contact Galco Customer Service at 800-874-2526 or [customerservice@galcofirearm.com](mailto:customerservice@galcofirearm.com).

You may also visit [GalcoUSA.com](http://GalcoUSA.com) and use our online "shop by gun" feature.

**▲ WARNING** Carrying a firearm in an ill-fitting or improper holster can result in serious injury or death. The purchase and use of a Galco holster is at the sole and exclusive risk of the user.

## READ AND UNDERSTAND THIS ENTIRE GUIDE PRIOR TO USING THIS PRODUCT

Firearms are inherently dangerous. Improper or careless use of a firearm or firearm and holster may result in serious injury or death. It is the user's responsibility to possess a thorough knowledge of, and be properly trained in, all aspects of firearm use, including holster use and safety.

**▲ WARNING** Do not place a loaded firearm in a holster without first testing – with a firearm double-checked and verified to be unloaded – for a proper firearm fit.

**▲ CAUTION** Tension units are not pre-set at the factory. If a holster has tension units, it is the user's responsibility to ensure they are adjusted to retain the firearm.

Carry the firearm in the safe condition recommended by its manufacturer. This information will be contained in the product information manual provided by the firearm manufacturer. If you do not have the manual applicable to the firearm, contact the firearm's manufacturer.

Always ensure the firearm is fully seated in the holster, and that it activates all automatic or manual retention devices (when provided). Retention devices must be used when provided.

**▲ WARNING** If the firearm is not properly secured by means of friction or the retention device(s), it could become dislodged, causing injury and possibly death to the user and others.

**▲ WARNING** Never holster a firearm in the single-action mode, unless it is a semi-automatic pistol and holster designed and intended for "cocked and locked" or "Condition One" carry.

**▲ WARNING** Always ensure that a single-action pistol carried in "Condition One" has the manual safety engaged when carrying in a holster.

**▲ WARNING** Do not attempt to cock a holstered firearm as this may damage the firearm, the holster, or both, and may contribute to a negligent discharge.

**▲ WARNING** Always protect an exposed magazine release from accidental activation.

**▲ WARNING** When drawing a firearm from the holster, DO NOT place your finger on the trigger, in the trigger guard, or near the trigger. Position your finger along the frame of the firearm, above the trigger guard. Keep your finger off the trigger until your sights are on target.

**▲ WARNING** A significant number of negligent discharges - some resulting in injury or death - occur while holstering a firearm. Most are caused by the user's index finger pressing the trigger. Some are caused because a foreign object becomes entangled or trapped in the trigger guard/holster and presses the trigger. The safest practice is to "look the firearm into the holster." This should be done methodically and without rushing. While holstering, be fully cognizant that:

1. All safeties are engaged.
2. Your index finger is straight along the firearm's frame. DO NOT place your finger on the trigger, in the trigger guard, or near the trigger. Keep your finger off the trigger until your sights are on target.
3. No articles of clothing (shirt tails, jacket drawstrings, etc.) become trapped in the trigger guard, holster, or between the firearm and holster.
4. Your shooting-hand thumb is placed over the hammer or the rear of the slide. This will enable you to feel if the hammer starts to move rearward or the slide begins to come out of battery.
5. You strictly observe Rule of Firearms Safety #2: never let the muzzle cover anything you're not willing to destroy. If you do not know how to holster your firearm without breaking this rule, you should seek training before holstering your firearm while the holster is worn.
6. If for any reason you are unable to "look the firearm into the holster" and not muzzle yourself or others, you should remove the holster from your body, then "look the firearm into the holster" (without breaking Rule #2). After the firearm is securely seated in the holster, attach the holster to your body/clothing in the manner in which it was designed.
7. If you holster your firearm while the holster is off and in your hand, insure you do NOT point the firearm at your support hand. Do not place your support hand (or other body parts) at the bottom of the holster. The holster material is not bullet proof. Neither your support hand, other body parts, nor other people should be muzzled/flagged while holstering.

**▲ WARNING** If a firearm falls out of its holster, it may fire, causing death or serious injury.

Always place your hand on the firearm and holster when running or performing other physically vigorous activities.

It is the user's responsibility to maintain the holster by regularly checking component parts for excessive wear and proper function. This includes, but is not limited to, tension units, snap closures and retention devices.

Checking tension units each time the holster is used is required as part of your regular safety inspection. Applying a small amount of clear nail polish to the threads of the tension units, after proper adjustment, will help minimize screw loosening.

**▲ WARNING** Do not use customized, modified, worn or broken firearms, or those otherwise outside the original manufacturer's specifications, in a Galco holster.

Do not in any way modify, disassemble, or remove any part from this holster, except as approved and recommended in Galco's Product Information Guide.

Do not rely on any holster being "snatch proof" regardless of the number of retention devices it may feature. Rely only on proper training and situational awareness.

## CARRY CONDITION OF THE FIREARM

**▲ WARNING** Some single-action revolvers and some semi-automatic pistols must be carried with the hammer or firing pin resting on an empty chamber.

Carrying any firearm with a live cartridge in the chamber immediately in front of the firing pin may cause a negligent discharge. Holsters are NOT designed to prevent firearms discharge if dropped. Information regarding the safe carry condition of your firearm will be contained in the product information manual provided by the firearm's manufacturer. If you are unsure of the safe carry condition(s) of your firearm, contact the firearm's manufacturer.

**▲ WARNING** Galco holsters with retention straps intended for single-action pistols (such as the 1911) are designed for "hammer down, empty chamber" carry, unless otherwise specified. Galco holsters without retention straps (open top) are designed to carry single-action pistols in all safe conditions of carry as specified by the firearm manufacturer.

## IF ANY DOUBT EXISTS AS TO THE SERVICEABILITY OR SAFETY OF A GALCO PRODUCT, IMMEDIATELY CEASE USING IT

If you have questions, contact:

**Galco Customer Service at 800-874-2526 or [customerservice@galcofirearm.com](mailto:customerservice@galcofirearm.com).**

Galco has made every effort to properly label all holsters for the specific firearms they fit. However, firearms manufacturers often make changes to their firearms that affect holster fit.

Galco will not be responsible for such changes, nor for typographical or other human errors that may occur. It is the user's responsibility to ensure proper holster fit with actual firearms.

It is important to understand that all products, including firearms and holsters, may eventually "wear out" or become unsuitable for the function for which they were designed. Stress and strain placed on a product will vary according to frequency and conditions of use, and therefore it is difficult to indicate a recommended replacement date for this product.

## INSPECTIONS / MAINTENANCE, ADDITIONAL USER RESPONSIBILITIES

**NOTICE** It is the user's responsibility to ensure that the item remains serviceable and safe, and able to continue service within its design intent.

**▲ WARNING** It is the user's responsibility to inspect the holster before and after each use for signs of excessive wear or loss of retention capability, and appropriate tightness of all hardware.

## PRODUCT IDENTIFICATION

Galco products are generally identified with a two-part code stamped into the holster body or label affixed to the item.

An alphabetical or alphanumeric prefix identifies the holster model. For example, the FLETCH model's prefix is FL while the Royal Guard's prefix is RG.

The numerical suffix identifies the particular firearm the holster is intended to fit. For example, the 212 suffix indicates a 5" 1911 while the 224 suffix indicates a Glock 17. The letter "B" or "H" at the end of the code indicates color. B is for black, H for havana brown, while no letter generally indicates tan.

Thus, an FL212 (FL + 212 + no letter) will be a tan FLETCH to fit a 5" 1911, while an RG224B (RG + 224 + B) will be a black Royal Guard for a Glock 17.

Holsters intended for Galco's modular shoulder systems display letters and numbers that correspond to guns. A Miami Classic holster intended for a SIG P320, for example, will simply read 820. A VHS 3.0 holster intended for a Beretta 92FS will read V3-202.

The numerical suffix of holsters intended for right-hand or ambidextrous use will end in an even number. The suffix of holsters intended for left-hand use will end in an odd number.

You may use the "shop by gun" feature found at our website, [GalcoUSA.com](http://GalcoUSA.com), to locate a holster fit. Simply enter the model number on the item (FL224B, for example) in the field. Should you have questions regarding the identification of the firearm intended for your Galco product, you may also contact Galco's customer service department at 800-874-2526 (during business hours) or by email at [customerservice@galcofirearm.com](mailto:customerservice@galcofirearm.com).

**▲ WARNING** A small number of Galco holsters are approved for use with multiple firearms. Care must always be taken to ensure your holster is an appropriate and approved fit for your firearm. Never carry a firearm in any holster not specifically recommended by Galco for that firearm.

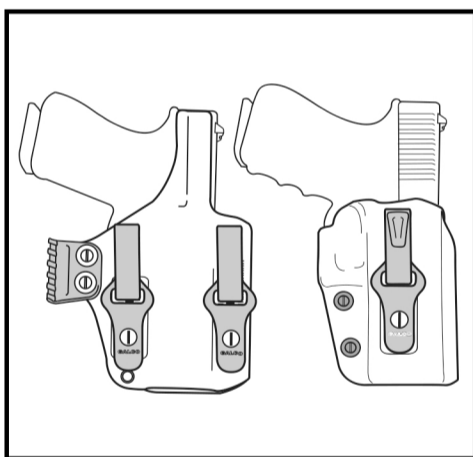
[GalcoUSA.com](http://GalcoUSA.com)



Galco Customer Service can be reached Toll Free at 800-874-2526 or by Email at: [customerservice@galcofirearm.com](mailto:customerservice@galcofirearm.com)



## PRODUCT INFORMATION GUIDE KYDEX IWB HOLSTERS



[GalcoUSA.com](http://GalcoUSA.com)  
2019 West Quail Avenue Phoenix Arizona 85027

## SAFETY SYMBOL DEFINITIONS

### ▲ DANGER

Indicates a hazardous situation which, if not avoided, will result in death or serious injury.

### ▲ WARNING

Indicates a hazardous situation which, if not avoided, could result in death or serious injury.

### ▲ CAUTION

Indicates a hazardous situation which, if not avoided, could result in minor or moderate injury.

### NOTICE

Used to address practices unrelated to potential personal injury.



Visit [GalcoUSA.com/videos](http://GalcoUSA.com/videos) to view related safety and product use videos.

**THANK YOU FOR YOUR PURCHASE OF  
A GALCO KYDEX PRODUCT! WE  
APPRECIATE YOUR BUSINESS.**

Kydex® is a rugged rigid thermoplastic with unique features that make it impervious to the elements. Galco molds kydex with care to ensure a smooth, high speed, low drag holster that is waterproof, highly scratch resistance, light-weight and easy to clean. The perfect material for all environments.

**PARAGON IWB HOLSTER**

The ambidextrous Paragon™ is ideally suited for the popular appendix mode of carry. Dual tuckable belt clips ride in slots fore and aft of the gun body, allowing adjustment for ride height and carry angle. Twin tension units allow easy adjustment of the draw stroke. Raised sweat guards on both sides of the handgun protect the wearers body from the gun and promote a smooth and safe return to holster. The Paragon comes with Galco's patent-pending polymer UniClip™ for excellent concealment, stability and easy on-off capability, and functions well with single or dual clips. Galco's Ultimate Stealth™ clips are available as an optional purchase.

**TRITON 2.0 IWB HOLSTER**

The Triton™ 2.0 IWB features a raised sweat guard to protect the pistol from corrosive perspiration and provide maximum comfort. Twin adjustable tension units (on most fits) allow for a customized draw and both unique clips enable the user to personalize the angle/cant of the holster. Whether your choice is FBI-forward cant, barrel-forward cant or neutral cant, the Triton allows precise adjustment to your preferred angle of carry. The Triton 2.0 comes complete with the UniClip and Ultimate Stealth Clip.

**DO**

**WARNING**

Keep your finger off the trigger until your sights are on the target!!

**NOTICE**

Ensure that all screws are tightened snugly. Applying a small amount of clear nail polish to the threads will minimize screw back out.

To clean Kydex, dust with a soft, damp cloth or chamois and wipe surface gently. A toothbrush may be used to loosen light dirt. After dampening, dry surface by blotting with a cloth or chamois to avoid streaking or water spots.

**DON'T**

**WARNING**

Do not place a loaded firearm in a holster without first testing – with a firearm double-checked and verified to be unloaded – for proper firearm fit.

**NOTICE**

Do not store your firearm in a holster if the holster is damp from perspiration or in otherwise moist condition.

Do not use LocTite® or threadlock. Out-gassing from these adhesive compounds will adversely affect plastic, nylon and rubber holster parts.

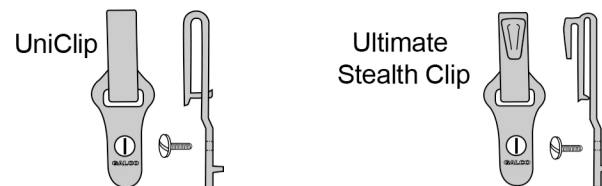
Do not leave your Galco product on the dashboard of your car in summer, or leave it otherwise exposed to the elements.

Do not expose your holster to heat from a dryer, oven, radiator, direct sunlight, etc.

**NOTICE**

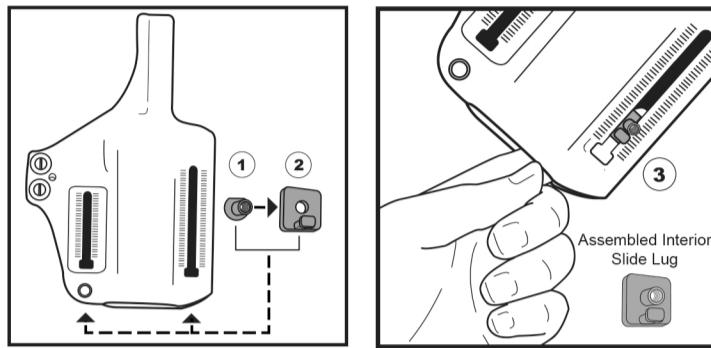
The care and maintenance instructions cannot substitute for your good common sense. Following our recommended care and maintenance tips, along with common sense, will allow you to get the maximum service life from your Galco products.

**TUCKABLE CLIPS**



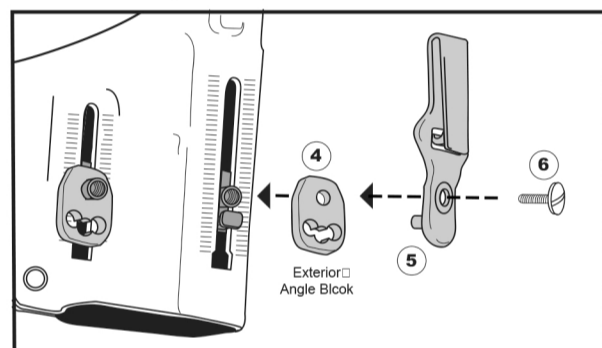
Galco's interchangeable tuckable clips offer the ultimate in stealthy concealment. The first is the UniClip™, designed to go over the belt, but which also works well without a belt. The second is the Ultimate Stealth™ clip with hook, which fits over the trouser waistband, under/behind a belt with just the top of the clip showing over the top of the belt.

**PARAGON IWB HOLSTER  
CLIP ASSEMBLY / ADJUSTMENT**



Insert the threaded post ① into the back of the Interior Slide Lug ② while being careful to align the straight edge of the threaded post with the straight edge of the recessed dimple.

Insert the assembled Interior Slide Lug inside the holster, using your index finger to push the square tab through the box opening at the bottom of the slot ③ and slide upward slightly. Ride height may be adjusted later.



Snap the Exterior Angle Block ④ onto the threaded post of the Interior Slide Lug. Align the square dimple on back of the Exterior Angle Block with the square tab on the Interior Slide Lug.

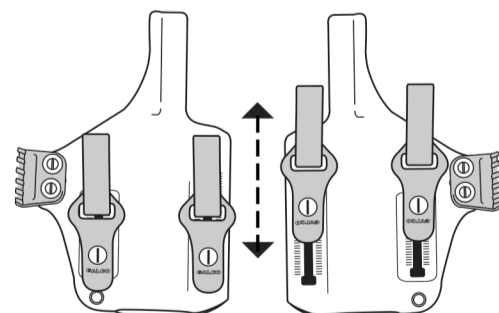
Insert the stabilizing post on the back of the tuckable clip ⑤ into one of the three holes on the Exterior Angle Block.

Insert the screw ⑥ loosely and slide the assembled clip to the desired height on the holster slot and tighten the screw.

**NOTICE**

Remove firearm from holster prior to loosening the screw or positioning the tuckable clip to prevent scratching firearm.

**RIDE HEIGHT AND AMBIDEXTROUS USE**



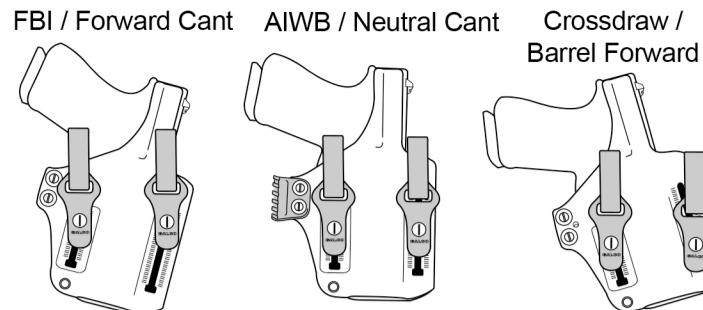
Loosen the screws and slide the assembled clip along the slots to change the ride height of the holster.

Moving the clips and the optional claw/wing to the opposite side of the holster allows the user to adapt the holster for ambidextrous use.

**NOTICE**

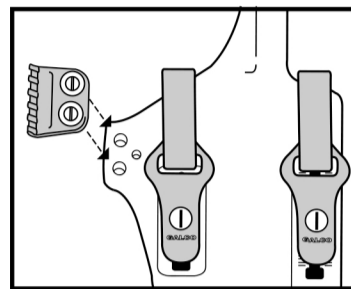
Screws should be tightened before holstering firearm to avoid scratching firearm.

**ADJUSTING FOR CARRY ANGLE**



Changing the position of the stabilizing post on the back of the tuckable clip enables the user to fully adjust the cant/angle and carry position/ location.

**OPTIONAL STABILIZING CLAW / WING**

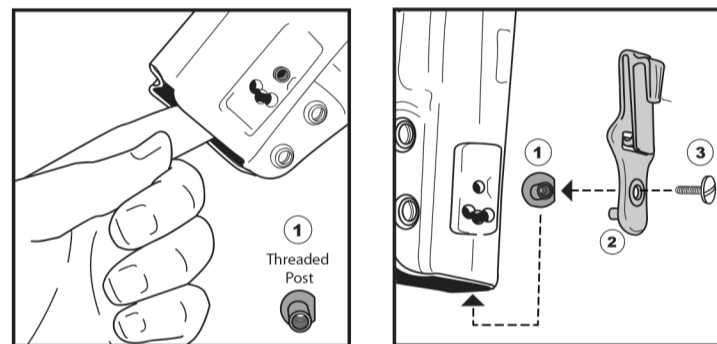


When worn in the appendix position (AIWB), the stabilizing claw/wing helps to push the butt of the gun closer to the body. The claw comes factory installed above the twin adjustable tension units.

When using the Paragon IWB holster without the claw, replace the installed long screws with the included shorter screws and washers.

Tighten screws to both secure the stabilizing claw/wing and to adjust the tension units.

**TRITON 2.0 IWB HOLSTER  
CLIP ASSEMBLY / ADJUSTMENT**



Insert the threaded brass post ① inside the holster while being careful to align the straight edge of the threaded post with the straight edge of the recessed dimple. Use your finger to hold the threaded brass post in place while installing the tuckable clip.

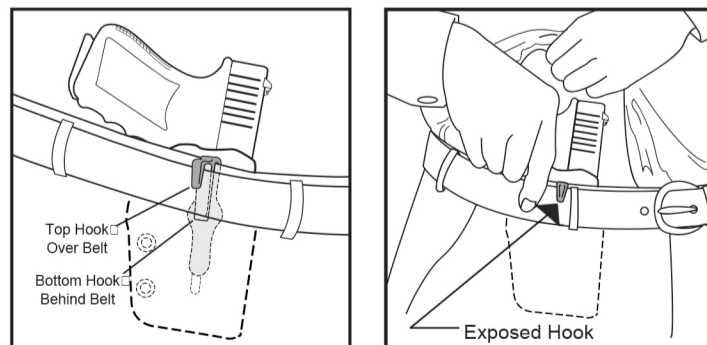
Insert the stabilizing post on the back of the tuckable clip ② into one of the three holes on the holster body.

Insert the screw ③ and tighten.

**NOTICE**

Remove firearm from holster prior to loosening the screw or repositioning the tuckable clip to prevent scratching firearm.

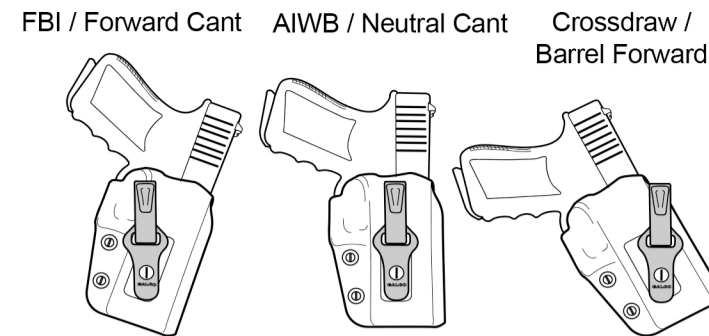
**ULTIMATE STEALTH CLIP**



To use the Ultimate Stealth Clip start with your shirt tail outside your pants. Put the holster inside your pants with the bottom hook on the outside of your pants and behind your belt. Your belt will cover the arm of the bottom hook, leaving the top hook over the top of the belt.

Tuck/fold your shirt tail between the backside of the any tuckable clip and the body of the holster. To draw the handgun, pull your shirt up with one hand, and draw with the other hand.

**ADJUSTING FOR CARRY ANGLE**



Changing the position of the stabilizing post on the back of the tuckable clip enables the user to fully adjust the cant/angle and carry position/ location.

**REPAIRS**

Great care was taken to select the finest materials available to craft your Galco product. It was designed in accordance with the highest engineering standards and hand made using traditional leather craft practices that have become Galco hallmarks over five decades. In the unlikely event a repair is necessary to an unaltered Galco product, simply contact our Customer Service department at 800-874-2526 or customerservice@galcofirearm.com. We will issue you a Return Authorization (RA) number to print on the outside of your shipping container and provide you with detailed shipping instructions.

**CARE, MAINTENANCE AND STORAGE**

**NOTICE**

Dirt and grit trapped in your holster may harm your firearm's finish. To clean your holster, especially after use in dusty conditions, simply wipe out the interior of the holster using a clean, damp cloth.

**NOTICE**

Some modern pistols have very sharp edges, particularly surrounding the ejection port. This may cause an initial feeling of "dragging" on the draw, but will normally resolve quickly with just a few draw-and-holster repetitions.

**TERMS OF SALE**

Because we have no control over the use of our products, all Galco products are sold as is and "with all faults". The entire risk as to the quality and performance of the product is with the buyer. Should the product prove defective following its purchase, the buyer and not the manufacturer, distributor, or retailer assumes the entire risk of all the necessary servicing or repairs. Under no circumstances shall Galco be liable for incidental or consequential damages, such as loss of use of property, commercial loss and loss of earnings or profits. The implied warranties of merchantability and fitness for a particular purpose and all other warranties, Hexpressed or implied, are excluded from this transaction and shall not apply to the product sold. The determination of the fitness or the suitability of any product for a specific use is the responsibility of the buyer. The illustrations shown herein are typical as to the finish and application. Due to uncontrollable variances in color saturation, the actual product may differ slightly from that shown on our web site. Galco reserves the right to make changes in product built and/or sold by them at any time without incurring any obligation to make same or similar changes on products previously manufactured and/or sold by them. All Galco products are made in the U.S.A. and produced according to rigid specifications. Prices and models are subject to change without notice. Some states do not allow the exclusion or limitation of implied warranties or liability for incidental or consequential damages, so the above limitations and exclusions may not apply to you. Galco designs, features, and model names are the exclusive property of Galco International. Any and all persons including, but not limited to, individuals, firms and/or corporations are forbidden from imitating, copying or reproducing them in any way.